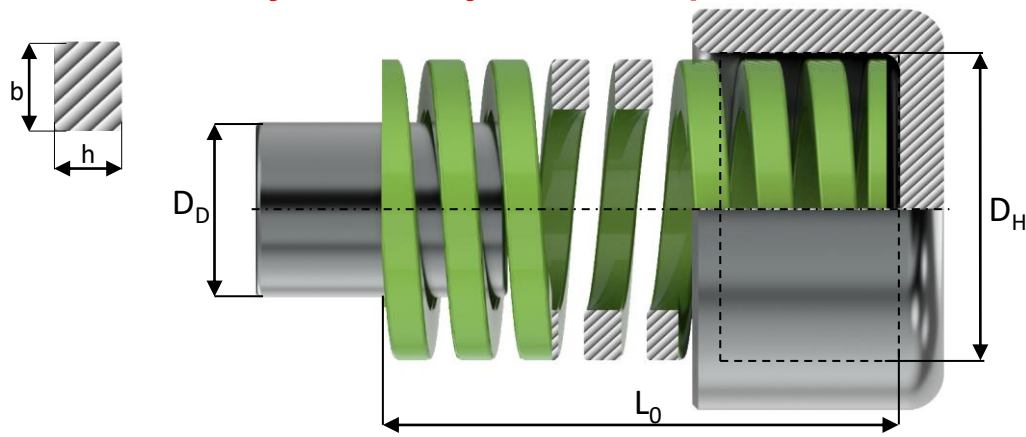


Pružiny do nástrojov a foriem podľa DIN 10243 – NP-VL



1N=0,102kg (sila)

KATALÓGOVÉ ČÍSLO	D _H D _D		L ₀	Tuhosť k N/mm	30%		40%		50% Max. dovolené stlačenie		D Max. stlačenie		
	bxh				mm	N	mm	N	mm	N		mm	N
	mm	mm											
VL 20 - 025	20	10	25	29.4	7.5	221	10.0	294	12.5	368	13.9	409	
VL 20 - 032			32	22.6	9.6	217	12.8	289	16.0	362	18.2	411	
VL 20 - 038			38	18.6	11.4	212	15.2	283	19.0	353	22.0	409	
VL 20 - 044			44	15.7	13.2	207	17.6	276	22.0	345	25.8	405	
VL 20 - 051			51	13.7	15.3	210	20.4	279	25.5	349	30.3	415	
VL 20 - 064			64	11.3	19.2	217	25.6	289	32.0	362	38.9	440	
VL 20 - 076			76	9.8	22.8	223	30.4	298	38.0	372	47.0	461	
VL 20 - 089			89	8.3	26.7	222	35.6	295	44.5	369	55.7	462	
VL 20 - 102			102	7.4	30.6	226	40.8	302	51.0	377	64.2	475	
VL 20 - 115			115	6.4	34.5	221	46.0	294	57.5	368	72.9	467	
VL 20 - 127			127	5.9	38.1	225	50.8	300	63.5	375	80.7	476	
VL 20 - 139			139	5.4	41.7	225	55.6	300	69.5	375	88.4	477	
VL 20 - 152			152	4.9	45.6	223	60.8	298	76.0	372	96.7	474	
VL 20 - 305			4.3x1.7	305	2.5	91.5	229	122.0	305	152.5	381	196.3	491
VL 25 - 025	25	12.5	25	53.9	7.5	404	10.0	539	12.5	674	12.9	695	
VL 25 - 032			32	42.2	9.6	405	12.8	540	16.0	675	17.2	726	
VL 25 - 038			38	35.8	11.4	408	15.2	544	19.0	680	20.7	741	
VL 25 - 044			44	31.4	13.2	414	17.6	553	22.0	691	24.4	766	
VL 25 - 051			51	27.0	15.3	413	20.4	551	25.5	689	28.5	770	
VL 25 - 064			64	21.6	19.2	415	25.6	553	32.0	691	36.5	788	
VL 25 - 076			76	18.1	22.8	413	30.4	550	38.0	688	43.9	795	
VL 25 - 089			89	15.2	26.7	406	35.6	541	44.5	676	51.4	781	
VL 25 - 102			102	13.2	30.6	404	40.8	539	51.0	673	59.3	783	
VL 25 - 115			115	11.8	34.5	407	46.0	543	57.5	679	67.2	793	
VL 25 - 127			127	10.6	38.1	404	50.8	538	63.5	673	74.4	789	
VL 25 - 139			139	9.6	41.7	400	55.6	534	69.5	667	81.6	783	
VL 25 - 152			152	8.8	45.6	401	60.8	535	76.0	669	89.5	788	
VL 25 - 178			178	7.6	53.4	406	71.2	541	89.0	676	105.4	801	
VL 25 - 203	203	6.7	60.9	408	81.2	544	101.5	680	120.7	809			
VL 25 - 305	5.4x2.2	305	4.4	91.5	403	122.0	537	152.5	671	182.4	803		



PRODUKT GROUP s.r.o.

Jánošíkova 560

906 32 Jablonica

IČO: 47723254

DIČ: 2024064031

IČ DPH: SK2024064031

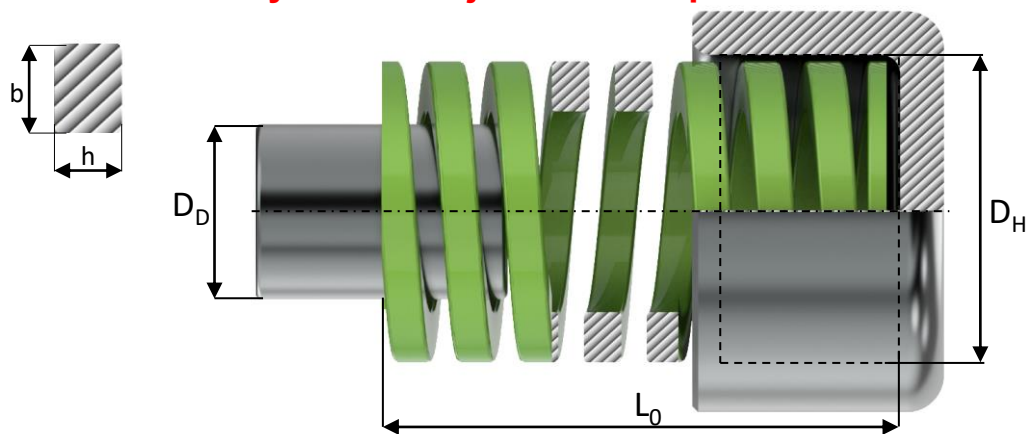
+421 910 397 780

+421 34 65 83 401

info@pruziny.com

www.pruziny.com

Pružiny do nástrojov a foriem podľa DIN 10243 – NP-VL



1N=0,102kg (sila)

KATALÓGOVÉ ČÍSLO	D _H D _D		L ₀	Tuhosť k N/mm	30%		40%		50% Max. dovolené stlačenie		D Max. stlačenie		
	bxh				mm	N	mm	N	mm	N		mm	N
	mm	mm											
VL 32 - 038	32	16	38	43.1	11.4	491	15.2	655	19.0	819	19.9	858	
VL 32 - 044			44	37.3	13.2	492	17.6	656	22.0	821	23.5	877	
VL 32 - 051			51	32.4	15.3	496	20.4	661	25.5	826	27.6	894	
VL 32 - 064			64	25.5	19.2	490	25.6	653	32.0	816	35.2	898	
VL 32 - 076			76	21.6	22.8	492	30.4	657	38.0	821	42.4	916	
VL 32 - 089			89	18.1	26.7	483	35.6	644	44.5	805	50.0	905	
VL 32 - 102			102	15.7	30.6	480	40.8	641	51.0	801	57.6	904	
VL 32 - 115			115	14.2	34.5	490	46.0	653	57.5	817	65.5	930	
VL 32 - 127			127	12.7	38.1	484	50.8	645	63.5	806	72.5	921	
VL 32 - 139			139	11.6	41.7	484	55.6	645	69.5	806	79.4	921	
VL 32 - 152			152	10.6	45.6	483	60.8	644	76.0	806	87.3	925	
VL 32 - 178			178	9.0	53.4	481	71.2	641	89.0	801	102.9	926	
VL 32 - 203			203	7.8	60.9	475	81.2	633	101.5	792	117.7	918	
VL 32 - 254			254	6.4	76.2	488	101.6	650	127.0	813	148.1	948	
VL 32 - 305			6.5x2.6	305	5.3	91.5	485	122.0	647	152.5	808	178.3	945
VL 40 - 051	40	20	51	48.1	15.3	736	20.4	981	25.5	1227	28.0	1347	
VL 40 - 064			64	39.2	19.2	753	25.6	1004	32.0	1254	36.2	1419	
VL 40 - 076			76	33.3	22.8	759	30.4	1012	38.0	1265	43.7	1455	
VL 40 - 089			89	28.4	26.7	758	35.6	1011	44.5	1264	51.7	1468	
VL 40 - 102			102	24.5	30.6	750	40.8	1000	51.0	1250	59.8	1465	
VL 40 - 115			115	22.1	34.5	762	46.0	1017	57.5	1271	67.9	1501	
VL 40 - 127			127	19.6	38.1	747	50.8	996	63.5	1245	75.2	1474	
VL 40 - 139			139	17.7	41.7	738	55.6	984	69.5	1230	82.4	1458	
VL 40 - 152			152	16.2	45.6	739	60.8	985	76.0	1231	90.6	1468	
VL 40 - 178			178	13.7	53.4	732	71.2	975	89.0	1219	106.5	1459	
VL 40 - 203			203	12.3	60.9	749	81.2	999	101.5	1248	122.2	1503	
VL 40 - 254			254	9.8	76.2	747	101.6	996	127.0	1245	153.6	1505	
VL 40 - 305			8.0x3.4	305	8.3	91.5	759	122.0	1013	152.5	1266	185.4	1539



PRODUKT GROUP s.r.o.

Jánošíkova 560

906 32 Jablonica

IČO: 47723254

DIČ: 2024064031

IČ DPH: SK2024064031

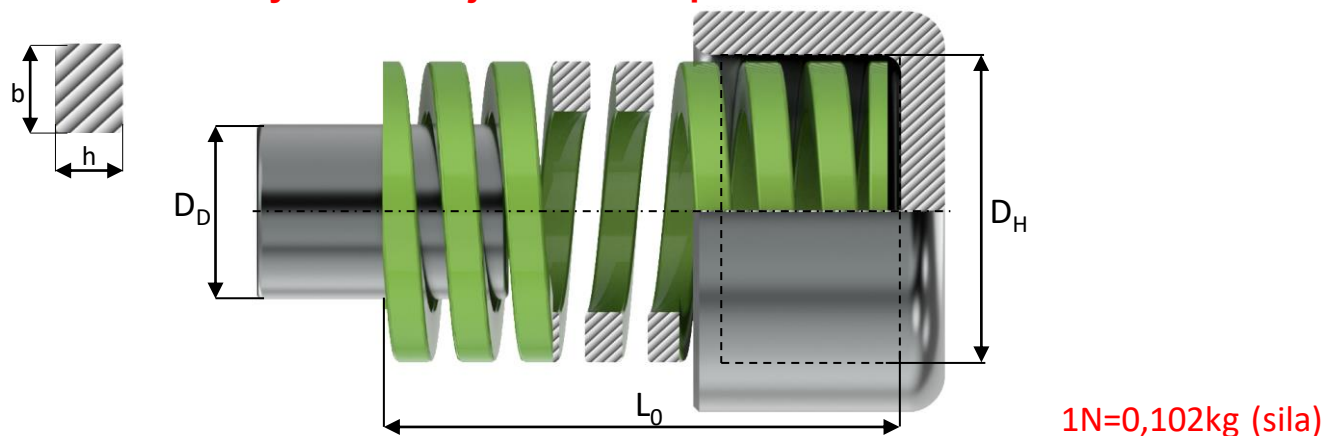
+421 910 397 780

+421 34 65 83 401

info@pruziny.com

www.pruziny.com

Pružiny do nástrojov a foriem podľa DIN 10243 – NP-VL



KATALÓGOVÉ ČÍSLO	D_H / D_D		L_0	Tuhosť k	30%		40%		50% Max. dovolené stlačenie		D Max. stlačenie	
	bxh											
	mm	mm										mm
VL 50 - 064	50	25	64	86.3	19.2	1657	25.6	2209	32.0	2762	35.1	3029
VL 50 - 076			76	70.6	22.8	1610	30.4	2146	38.0	2683	42.2	2979
VL 50 - 089			89	59.8	26.7	1597	35.6	2129	44.5	2661	50.3	3008
VL 50 - 102			102	52.0	30.6	1591	40.8	2122	51.0	2652	58.4	3037
VL 50 - 115			115	46.1	34.5	1590	46.0	2121	57.5	2651	66.1	3047
VL 50 - 127			127	42.2	38.1	1608	50.8	2144	63.5	2680	73.8	3114
VL 50 - 139			139	38.2	41.7	1593	55.6	2124	69.5	2655	80.9	3090
VL 50 - 152			152	34.3	45.6	1564	60.8	2085	76.0	2607	89.0	3053
VL 50 - 178			178	29.4	53.4	1570	71.2	2093	89.0	2617	105.3	3096
VL 50 - 203			203	25.5	60.9	1553	81.2	2071	101.5	2588	120.6	3075
VL 50 - 254	254	20.6	76.2	1570	101.6	2093	127.0	2616	152.2	3135		
VL 50 - 305	10.5x4.1	305	17.2	91.5	1574	122.0	2098	152.5	2623	183.7	3160	



PRODUKT GROUP s.r.o.

Jánošíkova 560

906 32 Jablonica

IČO: 47723254

DIČ: 2024064031

IČ DPH: SK2024064031

+421 910 397 780

+421 34 65 83 401

info@pruziny.com

www.pruziny.com