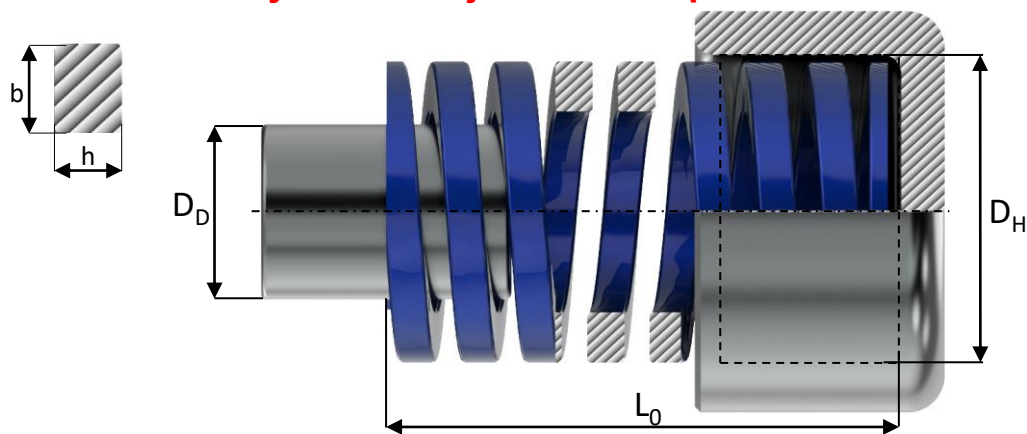


Pružiny do nástrojov a foriem podľa DIN 10243 – NP-B



1N=0,102kg (sila)

KATALÓGOVÉ ČÍSLO	D _H	D _D	L ₀	Tuhosť k	25%		30%		37.5% Max. dovolené stlačenie		D Max. stlačenie	
	bxh					N		N				
	mm	mm										
B 10 - 025	10	5	25	16.0	6.3	101	7.5	120	9.4	150	10.2	163
B 10 - 032			32	13.0	8.0	104	9.6	125	12.0	156	14.2	185
B 10 - 038			38	11.9	9.5	113	11.4	136	14.3	170	16.8	200
B 10 - 044			44	10.3	11.0	113	13.2	136	16.5	170	19.4	200
B 10 - 051			51	8.9	12.8	114	15.3	136	19.1	170	23.4	208
B 10 - 064			64	7.5	16.0	120	19.2	144	24.0	180	28.2	212
B 10 - 076			76	5.3	19.0	101	22.8	121	28.5	151	34.2	181
B 10 - 305			1.9x1.3		305	1.6	76.3	122	91.5	146	114.4	183
B 13 - 025	12.5	6.3	25	30.0	6.3	189	7.5	225	9.4	282	11.9	357
B 13 - 032			32	24.8	8.0	198	9.6	238	12.0	298	16.2	402
B 13 - 038			38	21.4	9.5	203	11.4	244	14.3	306	18.7	400
B 13 - 044			44	18.5	11.0	204	13.2	244	16.5	305	21.3	394
B 13 - 051			51	15.5	12.8	198	15.3	237	19.1	296	25.6	397
B 13 - 064			64	12.1	16.0	194	19.2	232	24.0	290	32.4	392
B 13 - 076			76	10.2	19.0	194	22.8	233	28.5	291	39.0	398
B 13 - 089			89	8.4	22.3	187	26.7	224	33.4	281	45.9	386
B 13 - 102	102	6.3	25.5	161	30.6	193	38.3	241	52.3	329		
B 13 - 305	2.5x1.5		305	2.1	76.3	160	91.5	192	114.4	240	152.5	320
B 16 - 025	16	8	25	49.4	6.3	311	7.5	371	9.4	464	10.5	519
B 16 - 032			32	37.1	8.0	297	9.6	356	12.0	445	13.2	490
B 16 - 038			38	33.9	9.5	322	11.4	386	14.3	485	17.2	583
B 16 - 044			44	30.0	11.0	330	13.2	396	16.5	495	19.4	582
B 16 - 051			51	26.4	12.8	338	15.3	404	19.1	504	24.2	639
B 16 - 064			64	20.5	16.0	328	19.2	394	24.0	492	29.2	599
B 16 - 076			76	17.8	19.0	338	22.8	406	28.5	507	36.3	646
B 16 - 089			89	15.2	22.3	339	26.7	406	33.4	508	41.7	634
B 16 - 102			102	13.5	25.5	344	30.6	413	38.3	517	48.9	660
B 16 - 115			115	11.8	28.8	340	34.5	407	43.1	509	53.1	627
B 16 - 305	3.2x2		305	4.8	76.3	366	91.5	439	114.4	549	141.6	680



PRODUKT GROUP s.r.o.

Jánošíkova 560

906 32 Jablonica

IČO: 47723254

DIČ: 2024064031

IČ DPH: SK2024064031

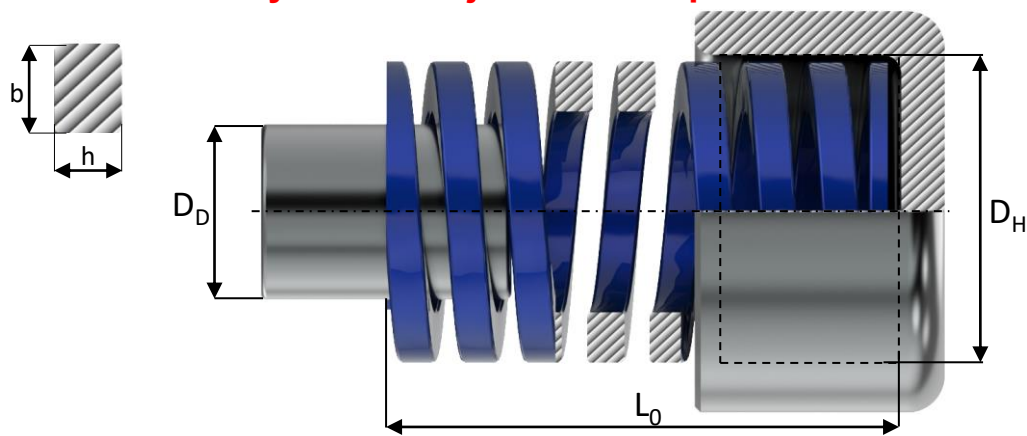
+421 910 397 780

+421 34 65 83 401

info@pruziny.com

www.pruziny.com

Pružiny do nástrojov a foriem podľa DIN 10243 – NP-B



1N=0,102kg (sila)

KATALÓGOVÉ ČÍSLO	D _H		D _D	L ₀	Tuhosť k	25%		30%		37.5% Max. dovolené stlačenie	⚠ Max. stlačenie	D Max. stlačenie	
	bxh					mm	N	mm	N	mm			N
	mm	mm	mm	N/mm	mm	N	mm	N	mm	N	mm	N	
B 20 - 025	20	10	10	25	98.0	6.3	617	7.5	735	9.4	921	10.5	1029
B 20 - 032				32	72.6	8.0	581	9.6	697	12.0	871	13.9	1009
B 20 - 038				38	56.0	9.5	532	11.4	638	14.3	801	16.6	930
B 20 - 044				44	47.5	11.0	523	13.2	627	16.5	784	18.8	893
B 20 - 051				51	41.7	12.8	534	15.3	638	19.1	796	23.1	963
B 20 - 064				64	32.3	16.0	517	19.2	620	24.0	775	27.5	888
B 20 - 076				76	25.1	19.0	477	22.8	572	28.5	715	33.8	848
B 20 - 089				89	22.0	22.3	491	26.7	587	33.4	735	39.7	873
B 20 - 102				102	19.8	25.5	505	30.6	606	38.3	758	47.3	937
B 20 - 115				115	18.1	28.8	521	34.5	624	43.1	780	52.5	950
B 20 - 127				127	16.6	31.8	528	38.1	632	47.6	790	56.9	945
B 20 - 139				139	15.1	35.0	529	42.0	634	52.5	793	62.1	938
B 20 - 152				152	13.2	38.0	500	45.6	600	57.0	750	67.6	889
B 20 - 305				4.1x2.4	305	6.1	76.3	465	91.5	558	114.4	698	143.4
B 25 - 025	25	12.5	12.5	25	147	6.3	926	7.5	1103	9.4	1382	10.2	1499
B 25 - 032				32	118	8.0	944	9.6	1133	12.0	1416	13.7	1617
B 25 - 038				38	93.0	9.5	884	11.4	1060	14.3	1330	15.7	1460
B 25 - 044				44	80.8	11.0	889	13.2	1067	16.5	1333	18.2	1471
B 25 - 051				51	68.6	12.8	878	15.3	1050	19.1	1310	21.7	1489
B 25 - 064				64	53.0	16.0	848	19.2	1018	24.0	1272	26.0	1378
B 25 - 076				76	43.2	19.0	821	22.8	985	28.5	1231	32.3	1395
B 25 - 089				89	38.2	22.3	852	26.7	1020	33.4	1276	38.0	1452
B 25 - 102				102	33.0	25.5	842	30.6	1010	38.3	1264	43.0	1419
B 25 - 115				115	28.0	28.8	806	34.5	966	43.1	1207	48.6	1361
B 25 - 127				127	25.9	31.8	824	38.1	987	47.6	1233	53.7	1391
B 25 - 139				139	23.2	35.0	812	42.0	974	52.5	1218	59.4	1378
B 25 - 152				152	20.8	38.0	790	45.6	948	57.0	1186	63.8	1327
B 25 - 178				178	17.8	44.5	792	53.4	951	66.8	1189	76.6	1363
B 25 - 203	203	15.8	50.8	803	60.9	962	76.1	1202	88.4	1397			
B 25 - 305	5.4x3.3	305	10.2	76.3	778	91.5	933	114.4	1167	135.1	1378		



PRODUKT GROUP s.r.o.

Jánošíkova 560

906 32 Jablonica

IČO: 47723254

DIČ: 2024064031

IČ DPH: SK2024064031

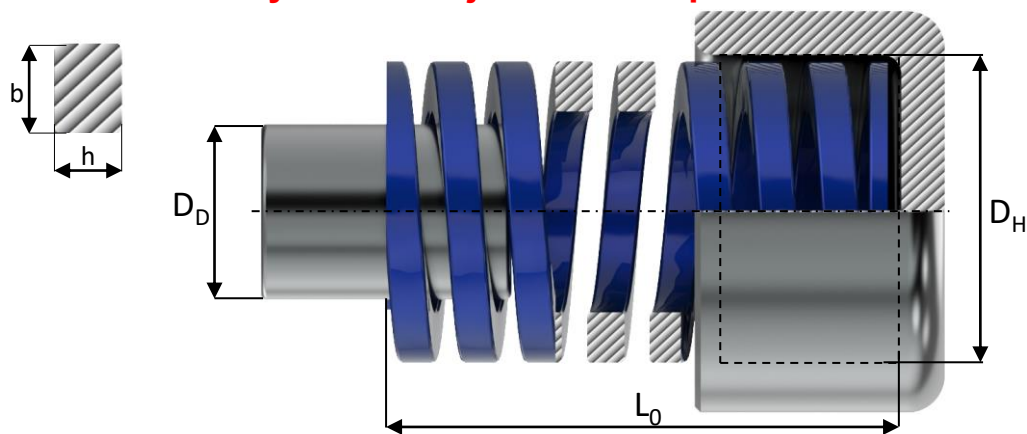
+421 910 397 780

+421 34 65 83 401

info@pruziny.com

www.pruziny.com

Pružiny do nástrojov a foriem podľa DIN 10243 – NP-B



1N=0,102kg (sila)

KATALÓGOVÉ ČÍSLO	D _H / D _D		L ₀	Tuhosť k	25%			30%			37.5% Max. dovolené stlačenie	D Max. stlačenie	
	bxh				mm	N	mm	N	mm	N	mm		N
	mm	mm											
B 32 - 038	32	16	38	185	9.5	1758	11.4	2109	14.3	2646	16.3	3016	
B 32 - 044			44	158	11.0	1738	13.2	2086	16.5	2607	18.9	2986	
B 32 - 051			51	134	12.8	1715	15.3	2050	19.1	2559	23.1	3095	
B 32 - 064			64	99.0	16.0	1584	19.2	1901	24.0	2376	28.5	2822	
B 32 - 076			76	80.5	19.0	1530	22.8	1835	28.5	2294	34.2	2753	
B 32 - 089			89	69.1	22.3	1541	26.7	1845	33.4	2308	40.4	2792	
B 32 - 102			102	58.8	25.5	1499	30.6	1799	38.3	2252	48.0	2822	
B 32 - 115			115	51.5	28.8	1483	34.5	1777	43.1	2220	54.3	2796	
B 32 - 127			127	44.8	31.8	1425	38.1	1707	47.6	2132	59.2	2652	
B 32 - 139			139	42.3	35.0	1481	42.0	1777	52.5	2221	65.3	2762	
B 32 - 152			152	37.8	38.0	1436	45.6	1724	57.0	2155	73.0	2759	
B 32 - 178			178	32.5	44.5	1446	53.4	1736	66.8	2171	84.5	2746	
B 32 - 203			203	28.9	50.8	1468	60.9	1760	76.1	2199	96.9	2800	
B 32 - 254			254	21.4	63.5	1359	76.2	1631	95.3	2039	120.9	2587	
B 32 - 305			6.8x4	305	18.3	76.3	1396	91.5	1674	114.4	2094	146.9	2688
B 40 - 051	40	20	51	181.6	12.8	2324	15.3	2778	19.1	3469	21.4	3886	
B 40 - 064			64	140.0	16.0	2240	19.2	2688	24.0	3360	26.8	3752	
B 40 - 076			76	108.0	19.0	2052	22.8	2462	28.5	3078	32.7	3532	
B 40 - 089			89	90.7	22.3	2023	26.7	2422	33.4	3029	39.0	3537	
B 40 - 102			102	81.0	25.5	2066	30.6	2479	38.3	3102	44.1	3572	
B 40 - 115			115	71.8	28.8	2068	34.5	2477	43.1	3095	50.6	3633	
B 40 - 127			127	62.7	31.8	1994	38.1	2389	47.6	2985	55.9	3505	
B 40 - 139			139	57.5	35.0	2013	42.0	2415	52.5	3019	61.8	3554	
B 40 - 152			152	51.6	38.0	1961	45.6	2353	57.0	2941	67.5	3483	
B 40 - 178			178	44.1	44.5	1962	53.4	2355	66.8	2946	77.2	3405	
B 40 - 203			203	36.7	50.8	1864	60.9	2235	76.1	2793	91.8	3369	
B 40 - 254			254	30.1	63.5	1911	76.2	2294	95.3	2869	112.7	3392	
B 40 - 305			8.2x4.7	305	24.6	76.3	1877	91.5	2251	114.4	2814	138.1	3397



PRODUKT GROUP s.r.o.

Jánošíkova 560

906 32 Jablonica

IČO: 47723254

DIČ: 2024064031

IČ DPH: SK2024064031

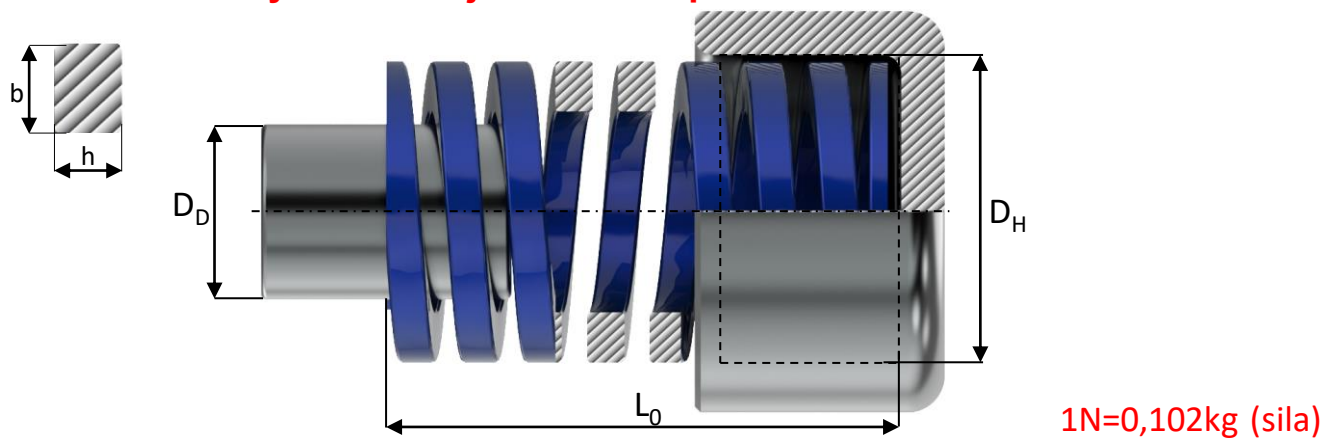
+421 910 397 780

+421 34 65 83 401

info@pruziny.com

www.pruziny.com

Pružiny do nástrojov a foriem podľa DIN 10243 – NP-B



KATALÓGOVÉ ČÍSLO	D _H		D _D	L ₀	Tuhosť k	25%		30%		37.5% Max. dovolené stlačenie	⚠ Max. stlačenie	D Max. stlačenie		
	bxh					mm	N	mm	N				mm	N
	mm	mm	mm	N/mm	mm	N	mm	N	mm	N	mm	N		
B 50 - 064	50	25	64	209	16.0	3344	19.2	4013	24.0	5016	28.2	5894		
B 50 - 076			76	168	19.0	3192	22.8	3830	28.5	4788	34.9	5863		
B 50 - 089			89	140	22.3	3122	26.7	3738	33.4	4676	39.2	5488		
B 50 - 102			102	119	25.5	3035	30.6	3641	38.3	4558	47.3	5629		
B 50 - 115			115	106	28.8	3053	34.5	3657	43.1	4569	52.6	5576		
B 50 - 127			127	97.0	31.8	3085	38.1	3696	47.6	4617	59.8	5801		
B 50 - 139			139	87.0	35.0	3045	42.0	3654	52.5	4568	65.1	5664		
B 50 - 152			152	80.0	38.0	3040	45.6	3648	57.0	4560	70.8	5664		
B 50 - 178			178	69.5	44.5	3093	53.4	3711	66.8	4643	84.2	5852		
B 50 - 203			203	59.8	50.8	3038	60.9	3642	76.1	4551	96.5	5771		
B 50 - 229			229	50.9	57.3	2917	68.7	3497	85.9	4372	108.5	5523		
B 50 - 254			254	43.9	63.5	2788	76.2	3345	95.3	4184	121.8	5347		
B 50 - 305			11.1x5.8		305	38.6	76.3	2945	91.5	3532	114.4	4416	146.8	5666
B 63 - 076			63	38	76	312	19.0	5928	22.8	7114	28.5	8892	30.7	9578
B 63 - 089	89	260			22.3	5798	26.7	6942	33.4	8684	36.5	9490		
B 63 - 102	102	221			25.5	5636	30.6	6763	38.3	8464	43.6	9636		
B 63 - 115	115	187			28.8	5386	34.5	6452	43.1	8060	48.9	9144		
B 63 - 127	127	168			31.8	5342	38.1	6401	47.6	7997	54.2	9106		
B 63 - 152	152	136			38.0	5168	45.6	6202	57.0	7752	65.7	8935		
B 63 - 178	178	114			44.5	5073	53.4	6088	66.8	7615	76.5	8721		
B 63 - 203	203	100			50.8	5080	60.9	6090	76.1	7610	88.0	8800		
B 63 - 229	229	89.2			57.3	5111	68.7	6128	85.9	7662	103.9	9268		
B 63 - 254	254	78.4			63.5	4978	76.2	5974	95.3	7472	112.4	8812		
B 63 - 305	11.5x9.1				305	64.7	76.3	4937	91.5	5920	114.4	7402	133.8	8657



PRODUKT GROUP s.r.o.

Jánošíkova 560

906 32 Jablonica

IČO: 47723254

DIČ: 2024064031

IČ DPH: SK2024064031

+421 910 397 780

+421 34 65 83 401

info@pruziny.com

www.pruziny.com