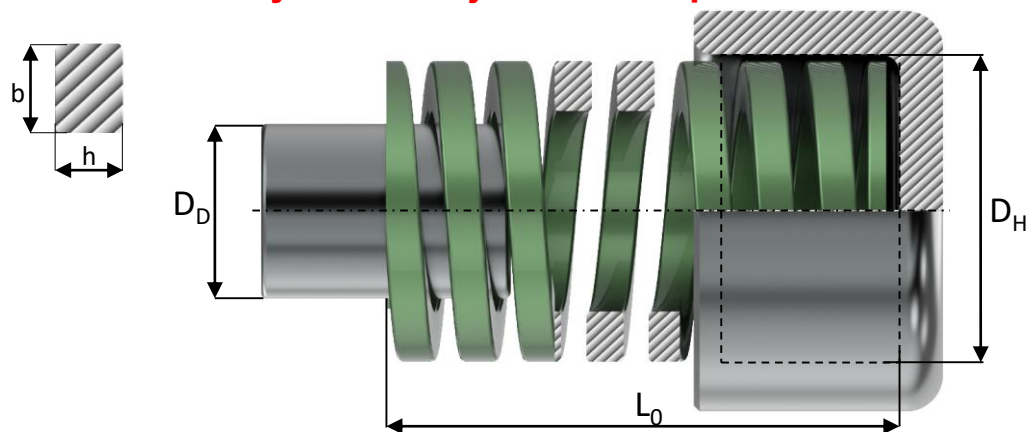



Pružiny do nástrojov a foriem podľa DIN 10243 – NP-V



KATALÓGOVÉ ČÍSLO	D _H	D _D	L ₀	Tuhosť k	25%			30%			40% Max. dovolené stlačenie		D Max. stlačenie	
	bxh				mm	mm	N	mm	N	mm				N
	mm	mm												
V 10 - 025	10	5	25	10	6.3	63	7.5	75	10.0	100	13.5	135		
V 10 - 032			32	8.5	8.0	68	9.6	82	12.8	109	17.5	149		
V 10 - 038			38	6.8	9.5	65	11.4	78	15.2	103	20.8	141		
V 10 - 044			44	6.0	11.0	66	13.2	79	17.6	106	23.9	143		
V 10 - 051			51	5.0	12.8	64	15.3	77	20.4	102	28.9	145		
V 10 - 064			64	4.3	16.0	69	19.2	83	25.6	110	36.1	155		
V 10 - 076			76	3.2	19.0	61	22.8	73	30.4	97	43.2	138		
V 10 - 305	1.7x1.1		305	1.1	76.3	84	91.5	101	122.0	134	178.7	197		
V 13 - 025	12.5	6.3	25	17.9	6.3	113	7.5	134	10.0	179	13.2	236		
V 13 - 032			32	16.4	8.0	131	9.6	157	12.8	210	18.0	295		
V 13 - 038			38	13.6	9.5	129	11.4	155	15.2	207	21.0	286		
V 13 - 044			44	12.1	11.0	133	13.2	160	17.6	213	24.0	290		
V 13 - 051			51	11.4	12.8	146	15.3	174	20.4	233	28.7	327		
V 13 - 064			64	9.3	16.0	149	19.2	179	25.6	238	35.8	333		
V 13 - 076			76	7.1	19.0	135	22.8	162	30.4	216	42.7	303		
V 13 - 089	89	5.4	22.3	120	26.7	144	35.6	192	50.4	272				
V 13 - 102	102	4.1	25.5	105	30.6	125	40.8	167	58.4	239				
V 13 - 305	2.4x1.4		305	1.4	76.3	107	91.5	128	122.0	171	172.0	241		
V 16 - 025	16	8	25	23.4	6.3	147	7.5	176	10.0	234	12.6	295		
V 16 - 032			32	22.9	8.0	183	9.6	220	12.8	293	16.4	376		
V 16 - 038			38	19.3	9.5	183	11.4	220	15.2	293	19.7	380		
V 16 - 044			44	17.1	11.0	188	13.2	226	17.6	301	22.5	385		
V 16 - 051			51	15.7	12.8	201	15.3	240	20.4	320	26.3	413		
V 16 - 064			64	10.7	16.0	171	19.2	205	25.6	274	33.3	356		
V 16 - 076			76	10.0	19.0	190	22.8	228	30.4	304	40.2	402		
V 16 - 089	89	8.6	22.3	192	26.7	230	35.6	306	47.6	409				
V 16 - 102	102	7.8	25.5	199	30.6	239	40.8	318	55.4	432				
V 16 - 115	115	6.6	28.8	190	34.5	228	46.0	304	60.8	401				
V 16 - 305	3.2x1.5		305	2.5	76.3	191	91.5	229	122.0	305	165.3	413		



PRODUKT GROUP s.r.o.

Jánošíkova 560
 906 32 Jablonica
 IČO: 47723254
 DIČ: 2024064031
 IČ DPH: SK2024064031

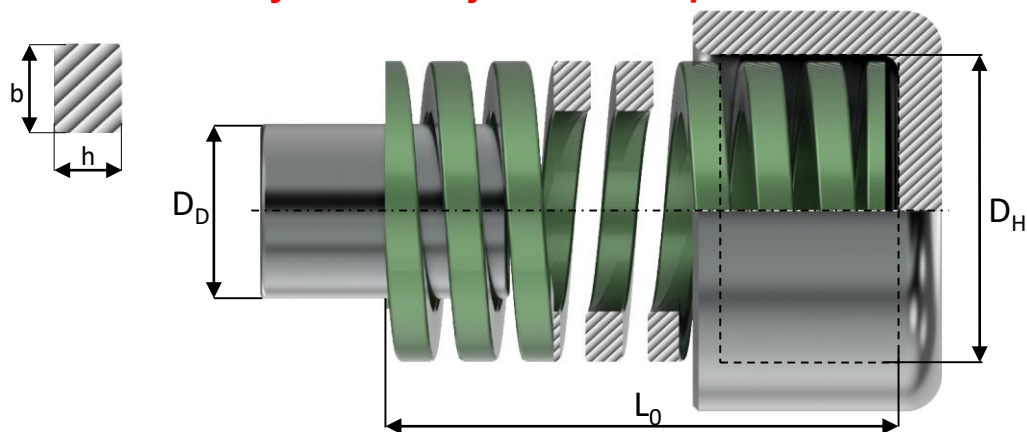
Technické informácie


Miloslav Horňák
 tel: 0905 249 175
 email: obchod.produkt@gmail.com

Predaj

Mgr. Jana Petrovičová
 tel: 034-658 34 01
 email: petrovicova.pruziny@gmail.com

Pružiny do nástrojov a foriem podľa DIN 10243 – NP-V



KATALÓGOVÉ ČÍSLO	D _H	D _D	L ₀	Tuhosť k	25%		30%		40% Max. dovolené stlačenie		D Max. stlačenie			
	bxh				mm	mm	N	mm				N	mm	N
	mm	mm												
V 20 - 025	20	10	25	55.8	6.3	352	7.5	419	10.0	558	12.1	675		
V 20 - 032			32	45.0	8.0	360	9.6	432	12.8	576	15.3	689		
V 20 - 038			38	33.3	9.5	316	11.4	380	15.2	506	18.9	629		
V 20 - 044			44	30.0	11.0	330	13.2	396	17.6	528	21.5	645		
V 20 - 051			51	24.5	12.8	314	15.3	375	20.4	500	25.0	613		
V 20 - 064			64	20.0	16.0	320	19.2	384	25.6	512	31.1	622		
V 20 - 076			76	16.0	19.0	304	22.8	365	30.4	486	37.3	597		
V 20 - 089			89	14.0	22.3	312	26.7	374	35.6	498	44.5	623		
V 20 - 102			102	12.0	25.5	306	30.6	367	40.8	490	51.1	613		
V 20 - 115			115	10.9	28.8	314	34.5	376	46.0	501	58.2	634		
V 20 - 127			127	9.5	31.8	302	38.1	362	50.8	483	64.9	617		
V 20 - 139			139	8.4	35.0	294	42.0	353	56.0	470	71.5	601		
V 20 - 152			152	7.5	38.0	285	45.6	342	60.8	456	78.8	591		
V 20 - 305			4.0x2.1	305	4.0	76.3	305	91.5	366	122.0	488	157.4	630	
V 25 - 025	25	12.5	25	100.0	6.3	630	7.5	750	10.0	1000	11.9	1190		
V 25 - 032			32	80.3	8.0	642	9.6	771	12.8	1028	16.0	1285		
V 25 - 038			38	62.0	9.5	589	11.4	707	15.2	942	18.3	1135		
V 25 - 044			44	52.9	11.0	582	13.2	698	17.6	931	21.4	1132		
V 25 - 051			51	44.0	12.8	563	15.3	673	20.4	898	24.9	1096		
V 25 - 064			64	35.2	16.0	563	19.2	676	25.6	901	31.4	1105		
V 25 - 076			76	28.0	19.0	532	22.8	638	30.4	851	37.5	1050		
V 25 - 089			89	24.0	22.3	535	26.7	641	35.6	854	43.5	1044		
V 25 - 102			102	21.1	25.5	538	30.6	646	40.8	861	51.1	1078		
V 25 - 115			115	18.7	28.8	539	34.5	645	46.0	860	58.1	1086		
V 25 - 127			127	16.7	31.8	531	38.1	636	50.8	848	64.1	1070		
V 25 - 139			139	15.3	35.0	536	42.0	643	56.0	857	70.4	1077		
V 25 - 152			152	14.0	38.0	532	45.6	638	60.8	851	77.1	1079		
V 25 - 178			178	12.5	44.5	556	53.4	668	71.2	890	93.1	1164		
V 25 - 203			203	10.4	50.8	528	60.9	633	81.2	844	102.7	1068		
V 25 - 305			5.4x2.7	305	7.0	76.3	534	91.5	641	122.0	854	155.9	1091	



PRODUKT GROUP s.r.o.

Jánošíkova 560
 906 32 Jablonica
 IČO: 47723254
 DIČ: 2024064031
 IČ DPH: SK2024064031

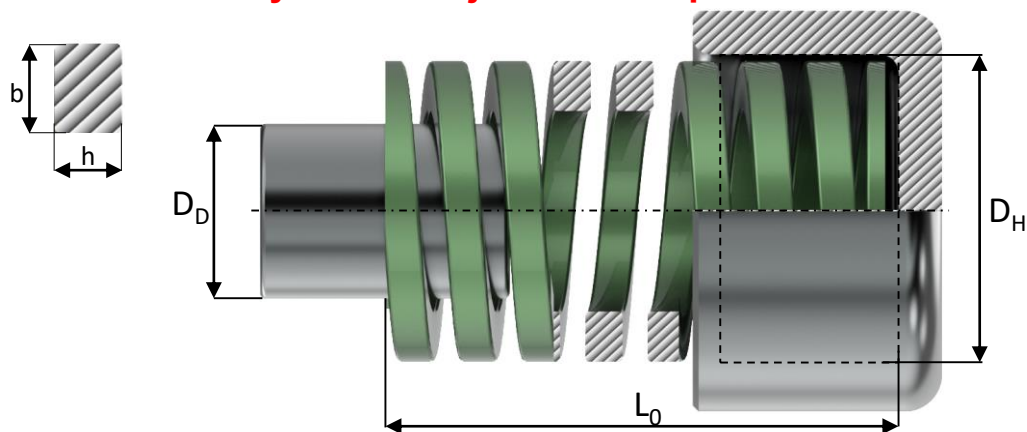
Technické informácie


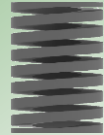
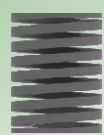
Miloslav Horňák
 tel: 0905 249 175
 email: obchod.produkt@gmail.com

Predaj

Mgr. Jana Petrovičová
 tel: 034-658 34 01
 email: petrovicova.pruziny@gmail.com

Pružiny do nástrojov a foriem podľa DIN 10243 – NP-V



KATALÓGOVÉ ČÍSLO	D _H	D _D	L ₀	Tuhosť k	25%		30%		40% Max. dovolené stlačenie		D Max. stlačenie		
						N		N					
	bxh	mm	mm	mm	N/mm	mm	N	mm	N	mm	N		
V 32 - 038	32	16	38	94.0	9.5	893	11.4	1072	15.2	1429	18.3	1720	
V 32 - 044			44	79.5	11.0	875	13.2	1049	17.6	1399	21.5	1709	
V 32 - 051			51	67.0	12.8	858	15.3	1025	20.4	1367	25.5	1709	
V 32 - 064			64	53.0	16.0	848	19.2	1018	25.6	1357	31.9	1691	
V 32 - 076			76	44.0	19.0	836	22.8	1003	30.4	1338	38.6	1698	
V 32 - 089			89	37.2	22.3	830	26.7	993	35.6	1324	46.5	1730	
V 32 - 102			102	32.0	25.5	816	30.6	979	40.8	1306	53.2	1702	
V 32 - 115			115	29.0	28.8	835	34.5	1001	46.0	1334	60.0	1740	
V 32 - 127			127	25.0	31.8	795	38.1	953	50.8	1270	66.7	1668	
V 32 - 139			139	23.0	35.0	805	42.0	966	56.0	1288	71.8	1651	
V 32 - 152			152	21.5	38.0	817	45.6	980	60.8	1307	78.5	1688	
V 32 - 178			178	18.2	44.5	810	53.4	972	71.2	1296	94.4	1718	
V 32 - 203			203	15.8	50.8	803	60.9	962	81.2	1283	107.1	1692	
V 32 - 254			254	12.5	63.5	794	76.2	953	101.6	1270	136.5	1706	
V 32 - 305			6.8x3.3	305	10.3	76.3	786	91.5	942	122.0	1257	162.7	1676
V 40 - 051	40	20	51	92.0	12.8	1178	15.3	1408	20.4	1877	25.5	2346	
V 40 - 064			64	73.0	16.0	1168	19.2	1402	25.6	1869	31.4	2292	
V 40 - 076			76	63.0	19.0	1197	22.8	1436	30.4	1915	37.8	2381	
V 40 - 089			89	51.0	22.3	1137	26.7	1362	35.6	1816	44.3	2259	
V 40 - 102			102	43.0	25.5	1097	30.6	1316	40.8	1754	50.7	2180	
V 40 - 115			115	39.6	28.8	1140	34.5	1366	46.0	1822	58.1	2301	
V 40 - 127			127	37.0	31.8	1177	38.1	1410	50.8	1880	64.6	2390	
V 40 - 139			139	32.0	35.0	1120	42.0	1344	56.0	1792	70.1	2243	
V 40 - 152			152	28.0	38.0	1064	45.6	1277	60.8	1702	76.6	2145	
V 40 - 178			178	25.2	44.5	1121	53.4	1346	71.2	1794	90.4	2278	
V 40 - 203			203	22.7	50.8	1153	60.9	1382	81.2	1843	102.4	2324	
V 40 - 254			254	17.0	63.5	1080	76.2	1295	101.6	1727	128.8	2190	
V 40 - 305			8.1x4.0	305	14.8	76.3	1129	91.5	1354	122.0	1806	156.1	2310



PRODUKT GROUP s.r.o.

Jánošíkova 560
 906 32 Jablonica
 IČO: 47723254
 DIČ: 2024064031
 IČ DPH: SK2024064031

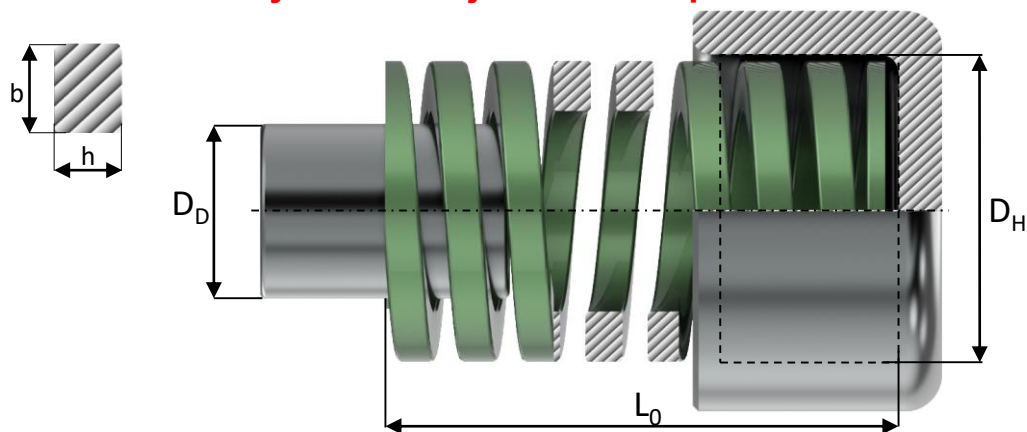
Technické informácie






Miloslav Horňák
 tel: 0905 249 175
 email: obchod.produkt@gmail.com

Predaj

Mgr. Jana Petrovičová
 tel: 034-658 34 01
 email: petrovicova.pruziny@gmail.com

Pružiny do nástrojov a foriem podľa DIN 10243 – NP-V



KATALÓGOVÉ ČÍSLO	D _H D _D		L ₀	Tuhosť k	25%		30%		40% Max. dovolené stlačenie		D Max. stlačenie	
	bxh											
	mm	mm										mm
V 50 - 064	50	25	64	156	16.0	2496	19.2	2995	25.6	3994	31.0	4836
V 50 - 076			76	125	19.0	2375	22.8	2850	30.4	3800	37.2	4650
V 50 - 089			89	109	22.3	2431	26.7	2910	35.6	3880	43.6	4752
V 50 - 102			102	94.0	25.5	2397	30.6	2876	40.8	3835	50.3	4728
V 50 - 115			115	81.0	28.8	2333	34.5	2795	46.0	3726	58.1	4706
V 50 - 127			127	71.0	31.8	2258	38.1	2705	50.8	3607	63.7	4523
V 50 - 139			139	66.5	35.0	2328	42.0	2793	56.0	3724	69.5	4622
V 50 - 152			152	60.0	38.0	2280	45.6	2736	60.8	3648	76.5	4590
V 50 - 178			178	52.0	44.5	2314	53.4	2777	71.2	3702	91.9	4779
V 50 - 203			203	44.0	50.8	2235	60.9	2680	81.2	3573	104.7	4607
V 50 - 254			254	35.0	63.5	2223	76.2	2667	101.6	3556	130.6	4571
V 50 - 305	10.9x5.3	305	28.5	76.3	2175	91.5	2608	122.0	3477	154.9	4415	
V 63 - 076	63	38	76	189	19.0	3591	22.8	4309	30.4	5746	36.5	6899
V 63 - 089			89	158	22.3	3523	26.7	4219	35.6	5625	43.4	6857
V 63 - 102			102	131	25.5	3341	30.6	4009	40.8	5345	49.7	6511
V 63 - 115			115	116	28.8	3341	34.5	4002	46.0	5336	55.6	6450
V 63 - 127			127	103	31.8	3275	38.1	3924	50.8	5232	62.7	6458
V 63 - 152			152	84.3	38.0	3203	45.6	3844	60.8	5125	77.1	6500
V 63 - 178			178	71.5	44.5	3182	53.4	3818	71.2	5091	92.2	6592
V 63 - 203			203	61.7	50.8	3134	60.9	3758	81.2	5010	103.5	6386
V 63 - 254			254	47.0	63.5	2985	76.2	3581	101.6	4775	130.4	6129
V 63 - 305			11.0x7.8	305	38.2	76.3	2915	91.5	3495	122.0	4660	157.4



PRODUKT GROUP s.r.o.

Jánošíkova 560
906 32 Jablonica
IČO: 47723254
DIČ: 2024064031
IČ DPH: SK2024064031

Technické informácie

Miloslav Horňák
tel: 0905 249 175
email: obchod.produkt@gmail.com

Predaj

Mgr. Jana Petrovičová
tel: 034-658 34 01
email: petrovicova.pruziny@gmail.com