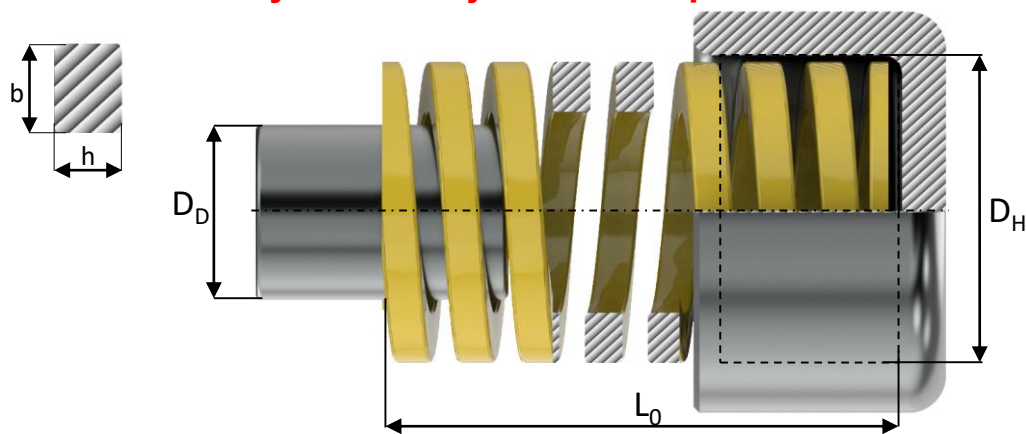


Pružiny do nástrojov a foriem podľa DIN 10243 – NP-G



1N=0,102kg (sila)

KATALÓGOVÉ ČÍSLO	D _H	D _D	L ₀	Tuhosť k	17%		20%		25% Max. dovolené stlačenie		D Max. stlačenie		
	bxh				mm	N	mm	N				mm	N
	mm	mm											
G 10 - 025	10	5	25	36.8	4.3	158	5.0	184	6.3	232	7.7	283	
G 10 - 032			32	27.9	5.4	151	6.4	179	8.0	223	10.6	296	
G 10 - 038			38	23.7	6.5	154	7.6	180	9.5	225	12.6	299	
G 10 - 044			44	19.2	7.5	144	8.8	169	11.0	211	13.8	265	
G 10 - 051			51	16.5	8.7	144	10.2	168	12.8	211	16.2	267	
G 10 - 064			64	13.2	10.9	144	12.8	169	16.0	211	20.4	269	
G 10 - 076			76	10.9	12.9	141	15.2	166	19.0	207	25.2	275	
G 10 - 305			1.9x1.6	305	2.6	51.9	135	61.0	159	76.3	198	110.8	288
G 13 - 025	12.5	6.3	25	58.5	4.3	252	5.0	293	6.3	369	8.1	474	
G 13 - 032			32	43.9	5.4	237	6.4	281	8.0	351	9.9	435	
G 13 - 038			38	36.0	6.5	234	7.6	274	9.5	342	12.9	464	
G 13 - 044			44	30.3	7.5	227	8.8	267	11.0	333	14.1	427	
G 13 - 051			51	26.2	8.7	228	10.2	267	12.8	335	17.4	456	
G 13 - 064			64	21.2	10.9	231	12.8	271	16.0	339	21.0	445	
G 13 - 076			76	17.1	12.9	221	15.2	260	19.0	325	26.4	451	
G 13 - 089			89	14.5	15.1	219	17.8	258	22.3	323	31.5	457	
G 13 - 102	102	12.7	17.3	220	20.4	259	25.5	324	36.0	457			
G 13 - 305	2.6x2.0	305	4.3	51.9	223	61.0	262	76.3	328	111.3	479		
G 16 - 025	16	8	25	118	4.3	507	5.0	590	6.3	743	8.5	1003	
G 16 - 032			32	89.0	5.4	481	6.4	570	8.0	712	11.0	979	
G 16 - 038			38	72.1	6.5	469	7.6	548	9.5	685	13.2	952	
G 16 - 044			44	60.9	7.5	457	8.8	536	11.0	670	14.7	895	
G 16 - 051			51	52.3	8.7	455	10.2	533	12.8	669	17.7	926	
G 16 - 064			64	41.2	10.9	449	12.8	527	16.0	659	21.9	902	
G 16 - 076			76	34.1	12.9	440	15.2	518	19.0	648	27.8	948	
G 16 - 089			89	29.5	15.1	445	17.8	525	22.3	658	31.2	920	
G 16 - 102			102	25.6	17.3	443	20.4	522	25.5	653	37.9	970	
G 16 - 115			115	22.4	19.6	439	23.0	515	28.8	645	44.5	997	
G 16 - 305	3.2x2.9	305	8.4	51.9	436	61.0	512	76.3	641	113.5	953		



PRODUKT GROUP s.r.o.

Jánošíkova 560
906 32 Jablonica
IČO: 47723254
DIČ: 2024064031
IČ DPH: SK2024064031

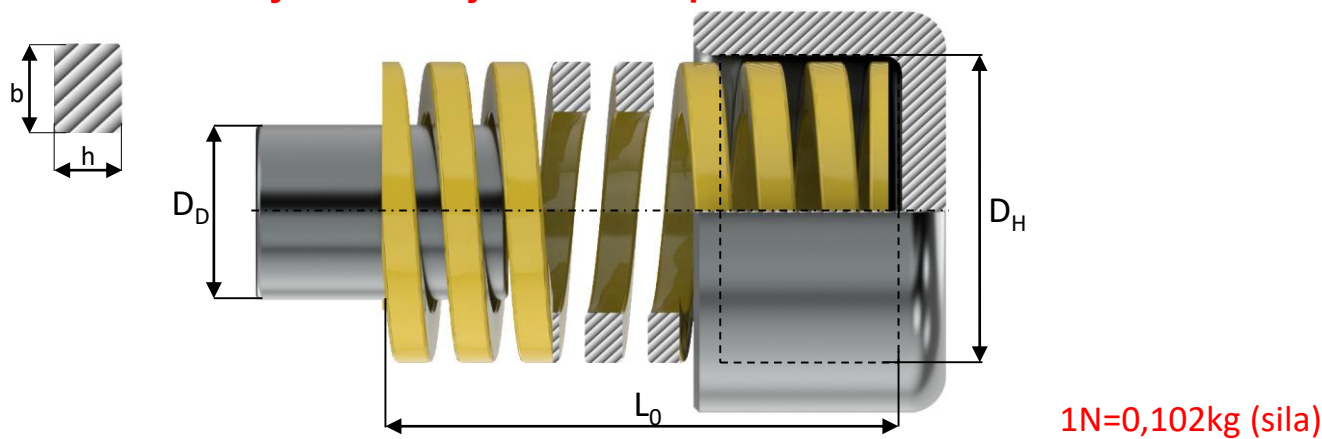
Technické informácie

Miloslav Horňák
tel: 0905 249 175
email: obchod.produkt@gmail.com

Predaj

Mgr. Jana Petrovičová
tel: 034-658 34 01
email: petrovicova.pruziny@gmail.com

Pružiny do nástrojov a foriem podľa DIN 10243 – NP-G



KATALÓGOVÉ ČÍSLO	D _H	D _D	L ₀	Tuhosť k	17%		20%		25% Max. dovolené stlačenie		D Max. stlačenie	
	bxh				mm	N	mm	N	mm	N		mm
	mm	mm										
G 20 - 025	20	10	25	293	4.3	1260	5.0	1465	6.3	1846	6.9	2022
G 20 - 032			32	224	5.4	1210	6.4	1434	8.0	1792	9.4	2106
G 20 - 038			38	177	6.5	1151	7.6	1345	9.5	1682	12.0	2124
G 20 - 044			44	149	7.5	1118	8.8	1311	11.0	1639	13.5	2012
G 20 - 051			51	128	8.7	1114	10.2	1306	12.8	1638	16.2	2074
G 20 - 064			64	99.0	10.9	1079	12.8	1267	16.0	1584	21.2	2099
G 20 - 076			76	81.7	12.9	1054	15.2	1242	19.0	1552	24.7	2018
G 20 - 089			89	69.5	15.1	1049	17.8	1237	22.3	1550	28.8	2002
G 20 - 102			102	60.6	17.3	1048	20.4	1236	25.5	1545	34.8	2109
G 20 - 115			115	53.0	19.6	1039	23.0	1219	28.8	1526	39.0	2067
G 20 - 127			127	47.5	21.6	1026	25.4	1207	31.8	1511	43.0	2043
G 20 - 139			139	43.0	23.8	1023	28.0	1204	35.0	1505	45.3	1948
G 20 - 152			152	39.0	25.8	1006	30.4	1186	38.0	1482	50.4	1966
G 20 - 305			4.1x3.8	305	21.2	51.9	1100	61.0	1293	76.3	1618	103.5
G 25 - 025	25	12.5	25	459.0	4.3	1974	5.0	2295	6.3	2892	7.3	3351
G 25 - 032			32	374.4	5.4	2022	6.4	2396	8.0	2995	10.7	4006
G 25 - 038			38	346.0	6.5	2249	7.6	2630	9.5	3287	12.0	4152
G 25 - 044			44	244.0	7.5	1830	8.8	2147	11.0	2684	14.4	3514
G 25 - 051			51	207.5	8.7	1805	10.2	2117	12.8	2656	17.4	3611
G 25 - 064			64	161.0	10.9	1755	12.8	2061	16.0	2576	21.4	3445
G 25 - 076			76	130.8	12.9	1687	15.2	1988	19.0	2485	26.9	3519
G 25 - 089			89	110.5	15.1	1669	17.8	1967	22.3	2464	30.9	3414
G 25 - 102			102	96.3	17.3	1666	20.4	1965	25.5	2456	36.7	3534
G 25 - 115			115	85.7	19.6	1680	23.0	1971	28.8	2468	40.3	3454
G 25 - 127			127	76.3	21.6	1648	25.4	1938	31.8	2426	45.1	3441
G 25 - 139			139	68.9	23.8	1640	28.0	1929	35.0	2412	47.6	3280
G 25 - 152			152	63.5	25.8	1638	30.4	1930	38.0	2413	53.5	3397
G 25 - 178			178	53.9	30.3	1633	35.6	1919	44.5	2399	63.9	3444
G 25 - 203			203	47.0	34.5	1622	40.6	1908	50.8	2388	70.2	3299
G 25 - 305			5.4x4.6	305	30.9	51.9	1604	61.0	1885	76.3	2358	110.1



PRODUKT GROUP s.r.o.

Jánošíkova 560
 906 32 Jablonica
 IČO: 47723254
 DIČ: 2024064031
 IČ DPH: SK2024064031

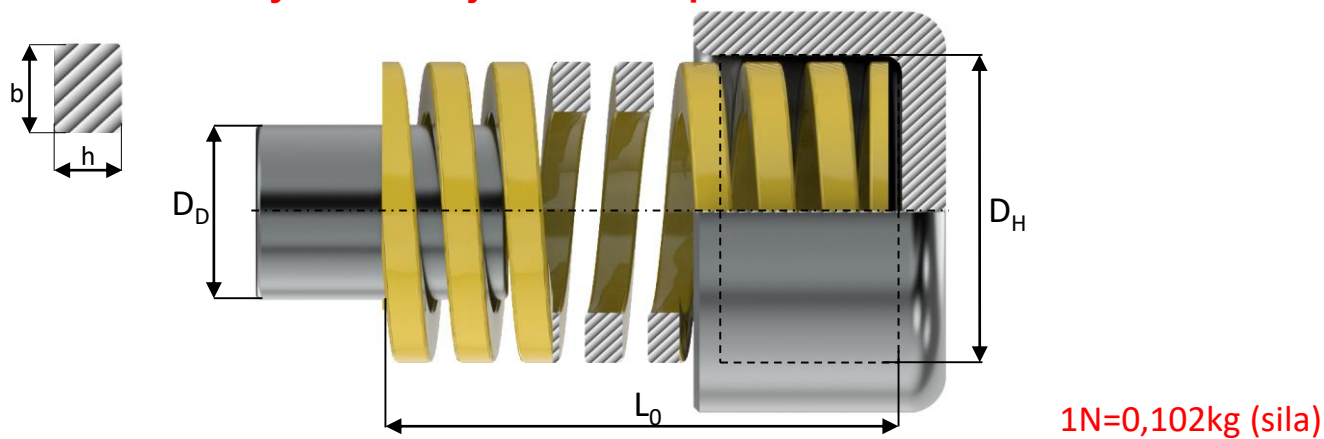
Technické informácie

Miloslav Horňák
 tel: 0905 249 175
 email: obchod.produkt@gmail.com

Predaj

Mgr. Jana Petrovičová
 tel: 034-658 34 01
 email: petrovicova.pruziny@gmail.com

Pružiny do nástrojov a foriem podľa DIN 10243 – NP-G



KATALÓGOVÉ ČÍSLO	D _H	D _D	L ₀	Tuhosť k	17%		20%		25% Max. dovolené stlačenie		D Max. stlačenie		
	bxh				mm	N	mm	N				mm	N
	mm	mm											
G 32 - 038	32	16	38	528.2	6.5	3433	7.6	4014	9.5	5018	11.4	6021	
G 32 - 044			44	424.4	7.5	3183	8.8	3735	11.0	4668	13.7	5814	
G 32 - 051			51	353.0	8.7	3071	10.2	3601	12.8	4518	15.6	5507	
G 32 - 064			64	269.2	10.9	2934	12.8	3446	16.0	4307	20.0	5384	
G 32 - 076			76	218.5	12.9	2819	15.2	3321	19.0	4152	24.4	5331	
G 32 - 089			89	180.3	15.1	2723	17.8	3209	22.3	4021	29.7	5355	
G 32 - 102			102	155.0	17.3	2682	20.4	3162	25.5	3953	35.1	5441	
G 32 - 115			115	140.0	19.6	2744	23.0	3220	28.8	4032	39.0	5460	
G 32 - 127			127	124.0	21.6	2678	25.4	3150	31.8	3943	42.8	5307	
G 32 - 139			139	112.3	23.8	2673	28.0	3144	35.0	3931	48.6	5458	
G 32 - 152			152	102.0	25.8	2632	30.4	3101	38.0	3876	52.4	5345	
G 32 - 178			178	88.2	30.3	2672	35.6	3140	44.5	3925	60.9	5371	
G 32 - 203			203	76.0	34.5	2622	40.6	3086	50.8	3861	69.2	5259	
G 32 - 254			254	60.8	43.2	2627	50.8	3089	63.5	3861	88.1	5356	
G 32 - 305	7.3x5.9	305	49.0	51.9	2543	61.0	2989	76.3	3739	104.2	5106		
G 40 - 051	40	20	51	628	8.7	5464	10.2	6406	12.8	8038	15.0	9420	
G 40 - 064			64	487	10.9	5308	12.8	6234	16.0	7792	19.5	9497	
G 40 - 076			76	379	12.9	4889	15.2	5761	19.0	7201	23.3	8831	
G 40 - 089			89	321	15.1	4847	17.8	5714	22.3	7158	26.7	8571	
G 40 - 102			102	281	17.3	4861	20.4	5732	25.5	7166	33.8	9498	
G 40 - 115			115	245	19.6	4802	23.0	5635	28.8	7056	36.2	8869	
G 40 - 127			127	221	21.6	4774	25.4	5613	31.8	7028	40.7	8995	
G 40 - 139			139	190	23.8	4522	28.0	5320	35.0	6650	44.5	8455	
G 40 - 152			152	168	25.8	4334	30.4	5107	38.0	6384	49.6	8333	
G 40 - 178			178	146	30.3	4424	35.6	5198	44.5	6497	59.9	8745	
G 40 - 203			203	132	34.5	4554	40.6	5359	50.8	6706	67.1	8857	
G 40 - 254			254	107	43.2	4622	50.8	5436	63.5	6795	86.3	9234	
G 40 - 305			8.4x7.5	305	87.8	51.9	4557	61.0	5356	76.3	6699	103.6	9096



PRODUKT GROUP s.r.o.

Jánošíkova 560
906 32 Jablonica
IČO: 47723254
DIČ: 2024064031
IČ DPH: SK2024064031

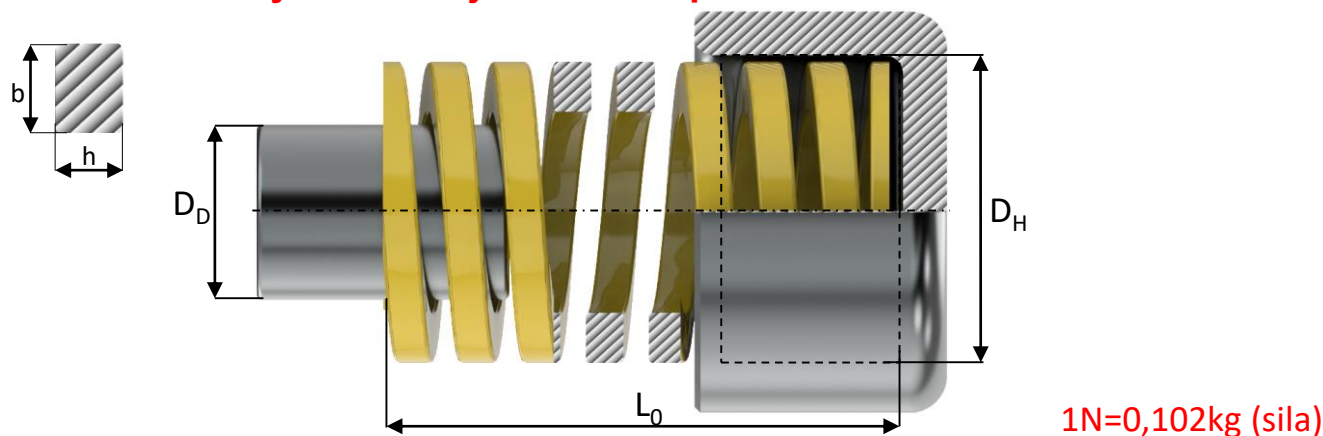
Technické informácie

Miloslav Horňák
tel: 0905 249 175
email: obchod.produkt@gmail.com

Predaj

Mgr. Jana Petrovičová
tel: 034-658 34 01
email: petrovicova.pruziny@gmail.com

Pružiny do nástrojov a foriem podľa DIN 10243 – NP-G



KATALÓGOVÉ ČÍSLO	D _H	D _D	L ₀	Tuhosť k	17%		20%		25% Max. dovolené stlačenie		D Max. stlačenie		
	bxh					N		N					N
	mm	mm											
G 50 - 064	50	25	64	709	10.9	7728	12.8	9075	16.0	11344	19.3	13684	
G 50 - 076			76	572	12.9	7379	15.2	8694	19.0	10868	24.2	13842	
G 50 - 089			89	475	15.1	7173	17.8	8455	22.3	10593	28.0	13300	
G 50 - 102			102	405	17.3	7007	20.4	8262	25.5	10328	33.5	13568	
G 50 - 115			115	352	19.6	6899	23.0	8096	28.8	10138	38.6	13587	
G 50 - 127			127	316	21.6	6826	25.4	8026	31.8	10049	41.4	13082	
G 50 - 139			139	274	23.8	6521	28.0	7672	35.0	9590	47.3	12960	
G 50 - 152			152	239	25.8	6166	30.4	7266	38.0	9082	50.2	11998	
G 50 - 178			178	215	30.3	6515	35.6	7654	44.5	9568	61.1	13137	
G 50 - 203			203	187	34.5	6452	40.6	7592	50.8	9500	67.7	12660	
G 50 - 254			254	153	43.2	6610	50.8	7772	63.5	9716	87.0	13311	
G 50 - 305	11.5x9.0	305	127	51.9	6591	61.0	7747	76.3	9690	103.4	13132		
G 63 - 076	63	38	76	952	12.9	12280	15.2	14470	*	*	15.5	14756	
G 63 - 089			89	819	15.1	12360	17.8	14580	*	*	20.0	19040	
G 63 - 102			102	700	17.3	12110	20.4	14280	25.5	17850	30.7	21449	
G 63 - 115			115	620	19.6	12152	23.0	14260	28.8	17860	34.9	21640	
G 63 - 127			127	565	21.6	12204	25.4	14351	31.8	17967	38.0	21470	
G 63 - 152			152	458	25.8	11816	30.4	13923	38.0	17404	47.2	21618	
G 63 - 178			178	384	30.3	11635	35.6	13670	44.5	17088	55.8	21427	
G 63 - 203			203	337	34.5	11627	40.6	13682	50.8	17120	64.8	21838	
G 63 - 254			254	263	43.2	11362	50.8	13360	63.5	16701	86.7	22802	
G 63 - 305			11.6x14.9	305	218	51.9	11314	61.0	13298	76.3	16633	105.7	23043



PRODUKT GROUP s.r.o.

Jánošíkova 560
 906 32 Jablonica
 IČO: 47723254
 DIČ: 2024064031
 IČ DPH: SK2024064031

Predaj

Mgr. Jana Petrovičová
 tel: 034-658 34 01
 email: petrovicova.pruziny@gmail.com

Technické informácie

Miloslav Horňák
 tel: 0905 249 175
 email: obchod.produkt@gmail.com